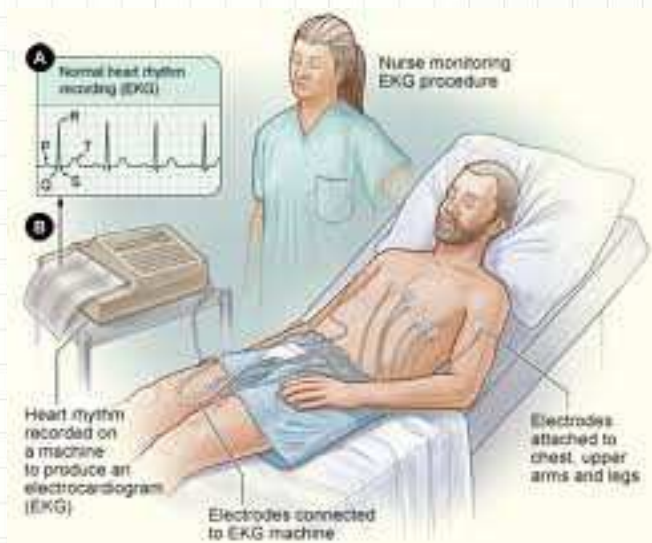


DR HOUSE AT HOME: PORTABLE EKG SYSTEM

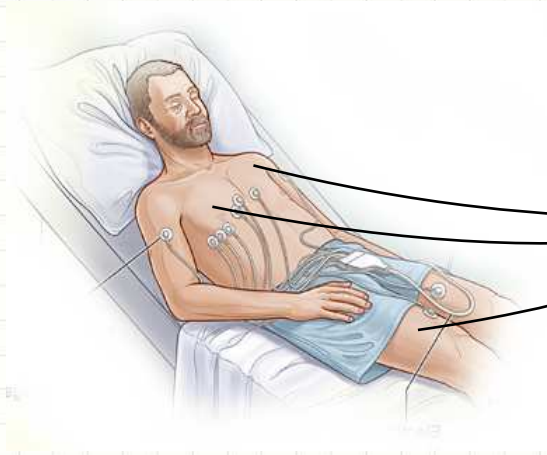
Lyne Tchapmi
Szu-Po Wang
Wenting Zheng

MOTIVATION

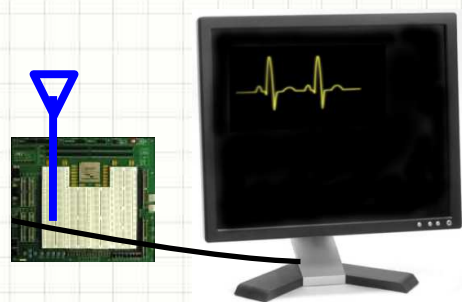
- Heavy machinery
- Limited mobility
- Tedious setup



MOTIVATION



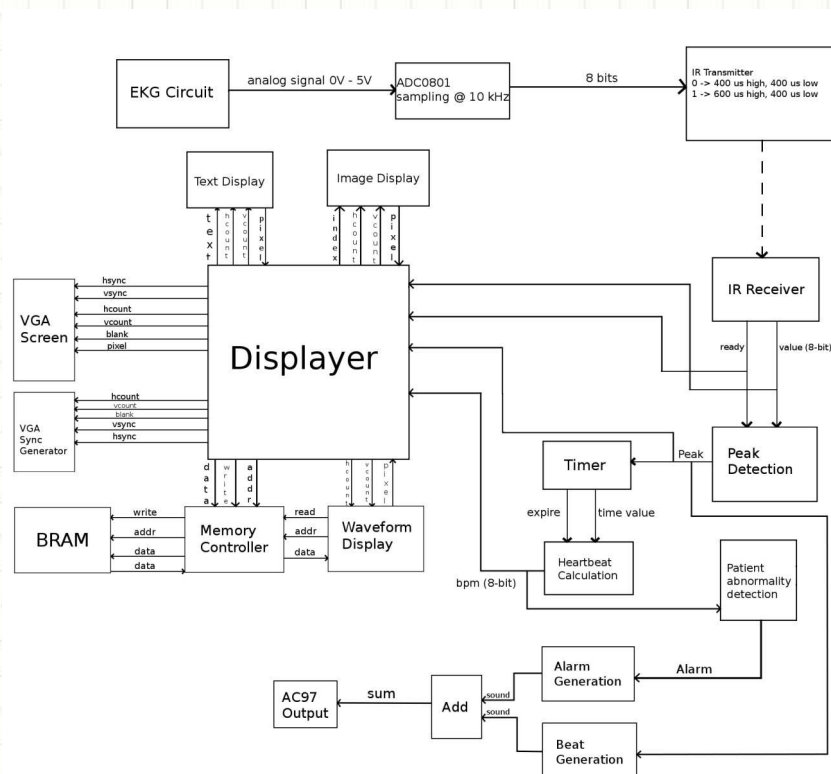
MOTIVATION



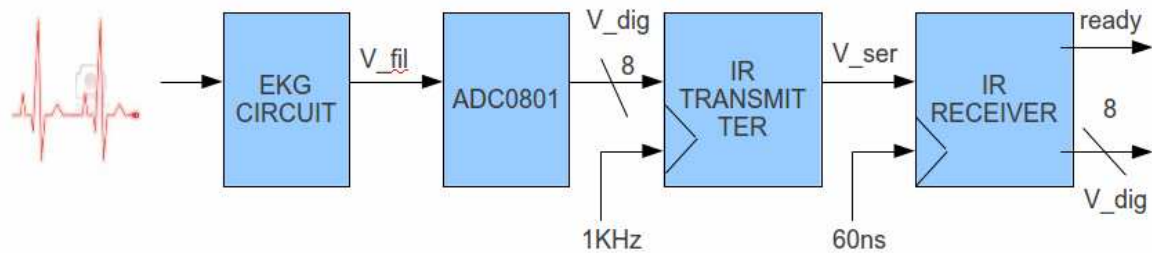
OVERVIEW

- Portable EKG device
- Infrared Transmission
- Remote processing of EKG data
- Heart rate monitoring
- Waveform display

OVERVIEW

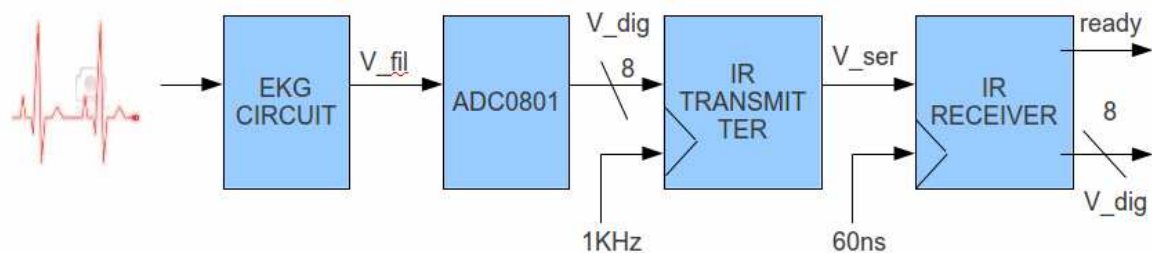


DATA ACQUISITION



- Filtering?
- 0-5V range \longrightarrow 0-255 (8-bit)
- Patient ID+ CRC +Serial transmission

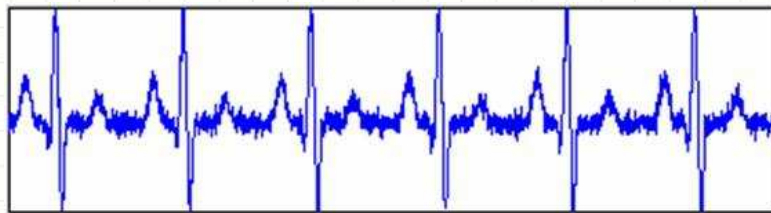
DATA ACQUISITION



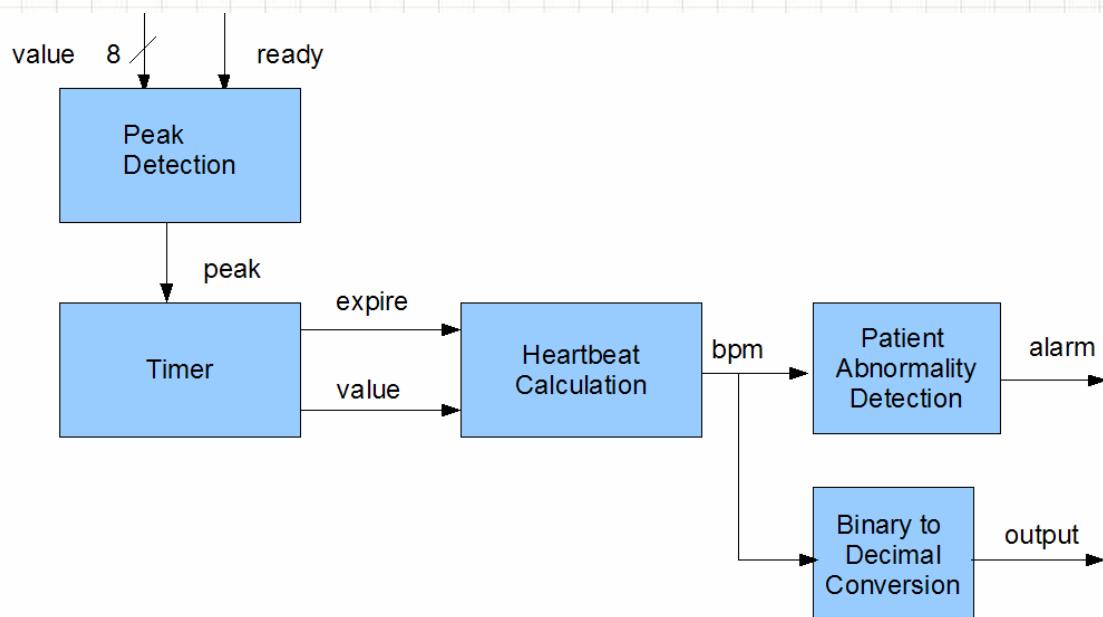
- Transmission limited by IR channel rate 1kbps
- Start - 1 as 600/400us - 0 as 400/400us
- Down sampling 60ns at receiver
- Serial to parallel conversion

SIGNAL PROCESSING

- Responsible for processing data
- Perform mathematical calculations
- Provide the display block with the necessary outputs

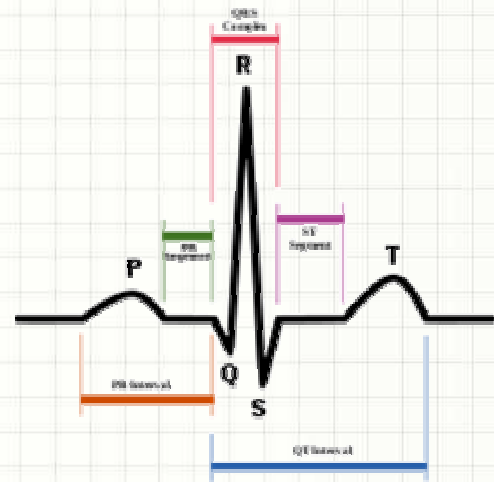


SIGNAL PROCESSING



SIGNAL PROCESSING

- Peak detection will compare stored data points
- Threshold value – avoid local peaks
- Extension: detect P, R, and T peaks

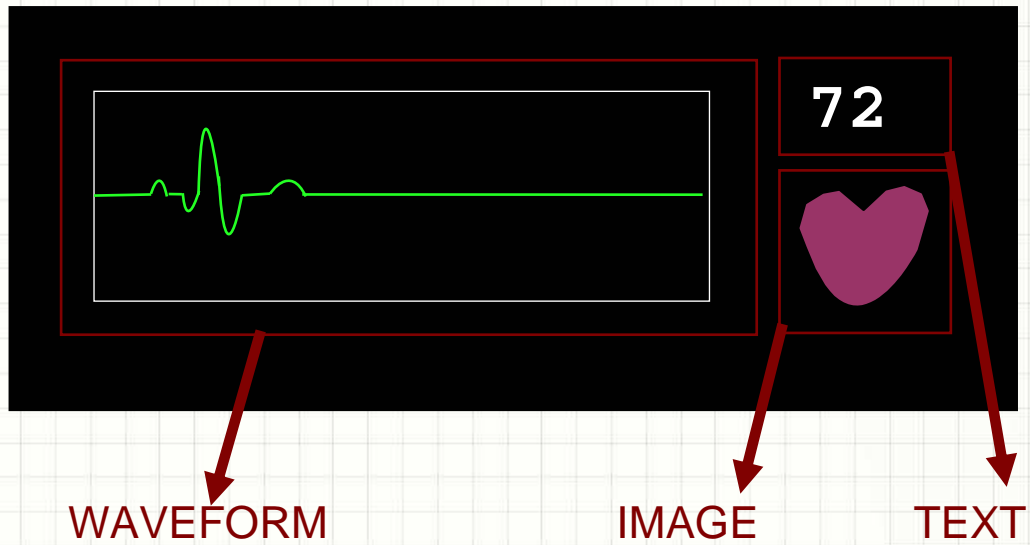


SIGNAL PROCESSING

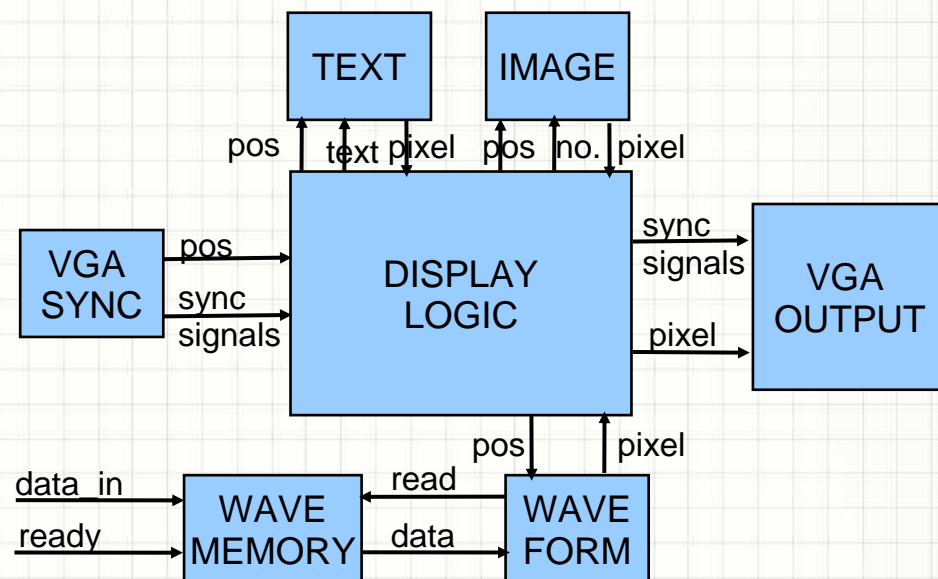
- Timer block uses counter and divider
- Heartbeat calculation keeps past four samples
- Coregen divider
- Binary to decimal conversion



DISPLAY - Overview



DISPLAY – Block Diagram



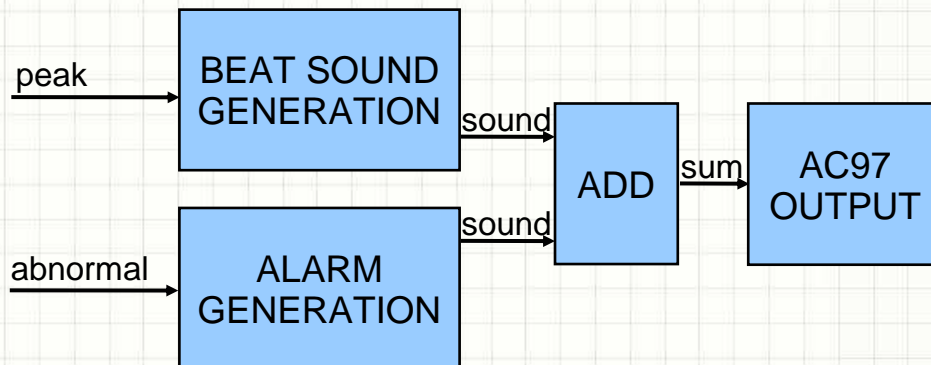
DISPLAY LOGIC

- If current **position** belongs to ...
 - Text region: choose TEXT module's output
 - Pixels of characters stored in **ROM**
 - Image region: IMAGE module
 - Images of heart stored in **ROM**
 - Waveform region: WAVEFORM module
 - Waveform data retrieved from **WAVEFORM MEMORY**

WAVEFORM MEMORY

- Single-port BRAM
- reading from WAVEFORM has priority
- write operations are stored in queue
 - Wait until the BRAM is not being read

SOUND GENERATION



- Output heartbeat sound in each period
- Output alarm if detected abnormality

TIMELINE

- 11/16 - 11/22
 - Lyne: Draft for data acquisition modules
 - Wenting: Peak detection and timer
 - Szu-Po: Waveform and text display
- 11/23 - 11/29
 - Lyne: Test data acquisition and transmission
 - Wenting: Heartbeat calculation and abnormality
 - Szu-Po: Image display and sound generation
- 11/30 – 12/05: Integration and Testing



QUESTIONS?